



QUICK SPECS

Weight	18,136 lbs
Horsepower	54.6 hp
Digging Depth	15'4"

Who knew zero tail swing could be this powerful?

Show up with the wrong equipment and it can be a really long day. The ViO80-1, our largest true zero tail swing excavator, goes where bigger, clunkier machines simply can't. You get the flexibility to work effectively against buildings or obstacles without sacrificing the power to do the job right. The 54.6-hp diesel engine comes with Yanmar's legendary durability and fuel efficiency built right in. Couple that with unmatched operator comfort, ease of operation and simple maintenance and you'll always have the right machine for the job.



ViO80-1

POWERFUL, EFFICIENT ELECTRONICALLY CONTROLLED 54.6-HP INTERIM TIER 4 DIESEL

VIPPS (VIO PROGRESSIVE 3-PUMP HYDRAULIC SYSTEM)

VICTAS ADVANCED TRACK STABILITY SYSTEM

EASY-TO-OPERATE JOYSTICK CONTROLS WITH ARMRESTS REDUCE OPERATOR FATIGUE

SPRING STEEL CYLINDER ROD GUARDS AND HOSE PROTECTION

INTEGRATED BOOM LIGHT PROTECTED FROM DAMAGE

ANGLED CRAWLER FRAME REDUCES FOREIGN MATTER BUILD-UP

ECO & AUTO-DECELERATION MODE STANDARD

AUTOMATIC SHIFTING 2-SPEED TRAVEL

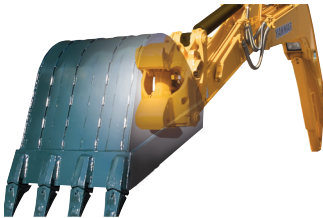
ROOMY ROPS/FOPS/OPG CABIN

INNOVATIVE FEATURES



True Zero Tail Swing

Yanmar introduced the world's first zero tail swing excavator in 1993. Today, our true zero tail swing technology means no part of the housing extends beyond the tracks. Since the entire machine operates within its tracks, you can work efficiently almost anywhere with less damage to the machine and the worksite.



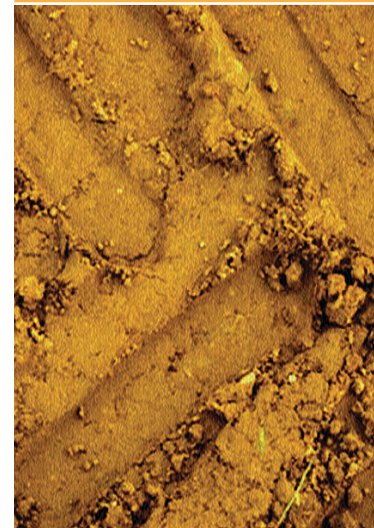
Hydraulic Quick Coupler Comes Standard

The standard hydraulic quick coupler makes changing buckets fast and easy. With the exception of fitting and removing the safety lock pin, the entire operation is performed electronically while you're seated in the comfort of the cab. Less hassle. Less downtime. More productivity.

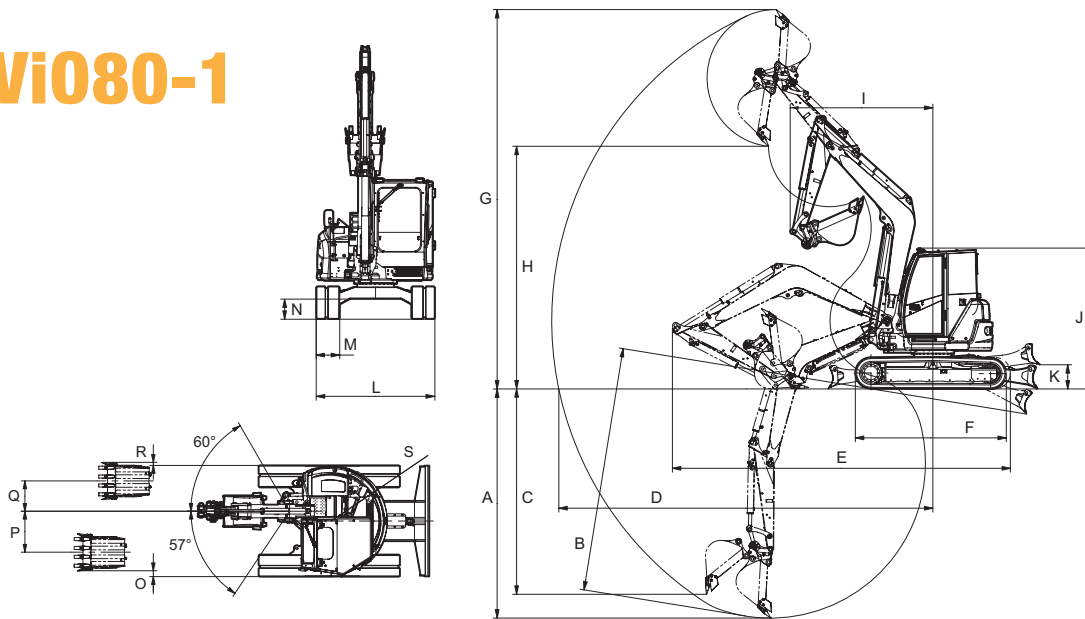


A Cab Almost As Comfortable As Your Living Room

The spacious ViO80-1 cab is designed for more elbow and leg room. The standard equipment heating and air conditioning system means you can work comfortably year round. And the sturdy, sound-blocking, anti-vibration construction means a smooth, quiet ride. All it needs is a TV.



Vi080-1



Dimensions - Vi080-1

	Rubber Track	Steel Track
A	14'5" (4400)	14'5" (4430)
B	15'4" (4680)	15'5" (4710)
C	12'11" (3940)	13'0" (3950)
D	23'5" (7140)	23'11" (7280)
E	21'2" (6460)	
F	9'6" (2890)	
G	23'9" (7230)	23'6" (7200)
H	15'2" (4620)	15'1" (4590)
I	8'11" (2720)	
J	8'10" (2680)	8'10" (2680)
K	1'6" (460)	1'4" (440)
L	7'5" (2270)	7'4" (2260)
M	1'6" (450)	
N	1'3" (390)	1'2" (360)
O	5" (120)	
P	2'9" (840)	
Q	2'0" (620)	
R	2" (60)	
S	3'9" (1135)	

Specifications

Model		Vi080-1	
Type		Cab. Rubber Track	Cab. Steel Track
Operating Weight		lbs (kg)	18136 (8225) 18268 (8285)
Engine	Type	Water-cooled 4-cycle diesel	
	Model	YANMAR 4TNV98-ZWBV2	
	Rated Output	HP (kW)/rpm 54.6 (40.7) / 2000	
	Maximum Output at High Idle Speed	HP (kW)/rpm 52.7 (39.3) / 1900	
Performance	Max Digging Force, Bucket / Arm	lbs (kN) w/ QC - 12583 (57.1) / 8363 (37.2) : w/o QC - 15863 (72.0) / 8363 (37.2)	
	Traveling Speed, High / Low	MPH (km / h) 2.8 (4.5) / 1.6 (2.5) 2.6 (4.1) / 1.4 (2.3)	
	Swing Speed	RPM 9.0	
	Boom Swing Angle, (L / R)	degrees 57° / 60°	
	Gradability	degrees 30°	
Ground Contact Pressure (Rubber Track)		PSI (kPa)	5.2 (35.8) 5.25 (36.2)
Hydraulic System	Pump Capacity	GPM (L / min) 18.6 (70.3) x 2 + 14.1 (53.2) + 5.0 (19.0)	
	Main Relief Set Pressure	PSI (MPa) 3698 (25.5) x 2 + 3481 (24.0) + 421 (2.9)	
Blade Dimensions	Width	ft-in (mm) 7'5" (2260)	
	Stroke, Raise / Lower from G.L.	ft-in (mm) 1'6" (460) / 1'7" (480) 1'5" (440) / 1'8" (500)	
Fuel tank capacity		Gals (L)	30.4 (115)

Standard Equipment

- Hydraulic Quick Coupler
- Blade
- Boom Swing Function
- Rubber Track / Steel Track
- Auxiliary Valve and Plumbing
- Radio Antenna and Connection Harness
- Back Mirror/Side Mirror
- 2-way Control Pattern Change
- ROPS / OPG Cabin
- Windshield Washer
- Air Conditioner
- Defroster
- Joystick Pilot Controls
- Arm Rests (Adjustable)
- Suspension and Reclining Seat
- Seat Belt
- PTO Switch
- Travel Automatic Dual Speed Switch
- Auto Deceleration Switch
- Eco Mode Switch
- Engine Stop Switch
- Traveling Alarm
- Floor Mats
- Evacuation Hammer

Please note that the standard equipment may vary from this list. Consult your Yanmar dealer for confirmation.

Hydraulic PTO

Model		Vi080-1	
Specification	Output	PSI (kPa)	GPM (L / min)
			1900RPM
Combined Flow, Double Actions		3481 (24000)	31.7 (120.0) 20.1 (76)

Lifting Capacity

LIFT POINT HEIGHT in (mm)	(R) LIFT RADIUS in (mm)											
	RATED LIFT CAPACITY OVER END BLADE DOWN				RATED LIFT CAPACITY OVER END BLADE UP				RATED LIFT CAPACITY OVER SIDE BLADE UP			
	MAX	196.9 (5000)	157.1 (4000)	118.1 (3000)	MAX	196.9 (5000)	157.1 (4000)	118.1 (3000)	MAX	196.9 (5000)	157.1 (4000)	118.1 (3000)
196.9 (5000)	*3638 (1650)		*3572 (1620)		*3550 (1610)		*3461 (1570)		2734 (1240)		*3550 (1610)	
157.5 (4000)	*3417 (1550)	*3417 (1550)	*3572 (1620)		2403 (1090)	*2734 (1240)	*3417 (1550)		2271 (1030)	2491 (1130)	*3528 (1600)	
118.1 (3000)	*3483 (1580)	*3616 (1640)	*4233 (1920)	*5468 (2480)	2028 (920)	2668 (1210)	*4123 (1870)	*5336 (2420)	1896 (860)	2447 (1110)	*4145 (1880)	*5534 (2510)
78.7 (2000)	*3351 (1520)	*3946 (1790)	*5027 (2280)	*6879 (3120)	1830 (830)	2513 (1140)	3594 (1630)	*6174 (2800)	1697 (770)	2315 (1050)	3395 (1540)	4806 (2180)
39.4 (1000)	*3395 (1540)	*4255 (1930)	*5710 (2590)	*7651 (3470)	1764 (800)	2381 (1080)	3439 (1560)	4564 (2070)	1675 (760)	2249 (1020)	3175 (1440)	4255 (1930)
Ground (0)	*3373 (1530)	*4321 (1960)	*5865 (2660)	*8070 (3660)	1830 (830)	2337 (1060)	3307 (1500)	4873 (2210)	1719 (780)	2160 (980)	3153 (1430)	4542 (2060)
-39.4 (-1000)	*3329 (1510)	*4057 (1840)	*5468 (2480)	*7585 (3440)	2028 (920)	2315 (1050)	3285 (1490)	5137 (2330)	1918 (870)	2160 (980)	3087 (1400)	4674 (2120)
-78.7 (-2000)	*2976 (1350)		*4498 (2040)	*6218 (2820)	2491 (1130)		3373 (1530)	5292 (2400)	2425 (1100)		3197 (1450)	4961 (2250)

* Rated Hydraulic lift capacity