



# WILLE 265



Wille 265 is agile and robust. Its minimum width is 1,200 mm and minimum height 1,990 mm. It weighs only two tonnes, and has operating hydraulics with a flow of 90 lpm. Wille's extensive range of work attachments and tyres makes it a perfect partner.

Despite its small size, Wille can readily deal with even tough snow clearing operations. In addition to ploughing and blowing, loading and piling of snow is easy with the high-tipping bucket.

In summer too, there's plenty for Wille to do. In green areas, the wide lawn mower, and the leaf collector are in active use. In towns, the suction sweeper and the high-pressure washer help keep the stone and asphalt paved areas clean.

## ENGINE

- CAT C2.2 EU Off Road Stage 3A
- 4-cylinder diesel engine
- Displacement 2,216 cm<sup>3</sup>
- Output 36 kW (48 hp)/2,600 rpm
- Max. torque 143 Nm/1,800 rpm
- Fuel tank 50 l

## ELECTRIC SYSTEM

- Voltage 12 V
- Electric main switch
- Battery 88 Ah
- Start motor 2.0 kW
- Alternator 65 A

## TRANSMISSION

- Hydrostatic transmission
  - Variable displacement pump
  - Variable displacement motor with 2 speeds
  - Charge automation of the engine
  - Driving direction to the front and rear is changed electrically
  - Power-shift of speed range
  - 1-speed reduction gear
  - Driving speed/tractive force
- 0-15 kph/1,050 daN  
0-36 kph/550 daN

## NOISE LEVEL

- Inside cabin under LpA 77 dBA

## WEIGHT

- Own weight 2,050 kg
- Front axle weight 670 kg
- Rear axle weight 1,380 kg

## STEERING SYSTEM

- Hydrostatic articulated steering
- Turning angle +/- 39°
- Angle of oscillation +/- 7°

## AXLES

- Automatic differential locks in the front
- Hydraulically assisted drum brake in the front
- Mechanic control of the parking brake

## OPERATING HYDRAULICS

- Gear pump, 54 lpm, 190 bar
- Gear pump, 36 lpm, 190 bar
- Volume of the hydraulic system about 60 l
- Hydraulic oil cooler

## FRONT HITCH

- Optional hitching patterns: 3-point hitch KAT 1, Vila
- Lifting force at the end of the arms: in lower position 13 kN, in upper position 12 kN
- Lifting height 700 mm
- Hydraulic suspension
- Float position
- Mechanic quick-coupler for work attachment
- Hydraulic pilot control

## TYRES

- 31x10.5-15 (width of the machine 1,300 mm)
- 270/75R15, studded tyres (width of the machine 1,300 mm)
- 235/75R15 (width of the machine 1,200 mm)
- Lawn tyres 31x13.5-15 (width of the machine 1,460 mm)

## STANDARD EQUIPMENT

- Motor hydraulics (max. flow at 2,600 rpm)
- single-acting to the front 54 lpm
- single-acting to the front 36 lpm
- single-acting to the front 90 lpm
- single-acting to the rear 54 lpm
- Toplink hydraulics
- Hydraulic circuit for 3rd cylinder
- Hydraulic circuit for 4th cylinder
- Double-acting cylinder hydraulics to the rear
- Electric Inching and accelerator pedal
- Flow control valve for motor hydraulics with electric control
- Socket outlet of 12 V in the front and rear
- Beacon light with foldable shaft
- TFT display
- Radio/mp3 Bluetooth/AUX-in/USB/SD-Card
- Windscreen and rear window wiper and washer
- Rear mirrors with heating
- Work lights in the front and rear
- Adjustment of steering wheel tilt
- Seat with heating
- 2-point safety belt
- Safety cabin ROPS (ISO 3471)
- Safety cabin FOPS (ISO 3449 1365 J)
- Engine heater
- Bottom armours in the front and rear
- Refill pump for hydraulic oil
- Towing hitch
- Reverse alarm
- Brackets for work attachments above the engine space

## OPTIONAL EQUIPMENT

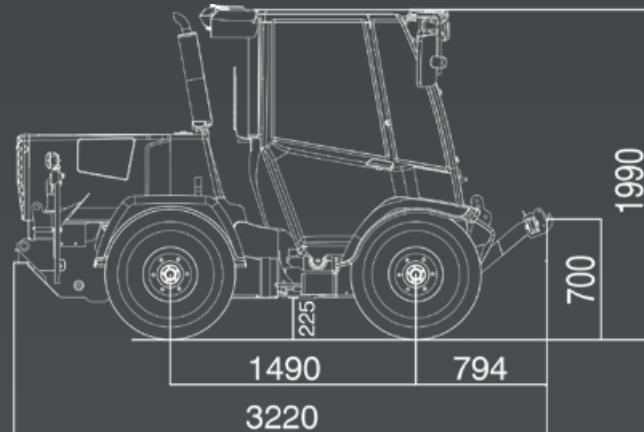
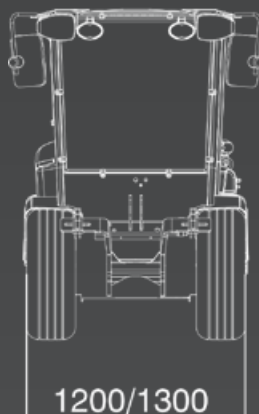
- Rear tilt (Trima)
- Float-position for rear tilt
- 3-point lift in the rear
- Hydraulic oil heater
- Central pressure lubrication
- Air-conditioning
- Air-cushioned seat
- Readiness for cabin heater
- Rear view camera
- Backup camera

## Wille work attachments:

- Rotary brush 140
- Bucket brush 550
- Zoom plough 250
- Ice-plough
- High-tipping bucket 550 l
- Mechanical rear blade 180 l
- Rear sand spreader 180 l (250 l for salt)
- Disc gritter 450 l
- Leaf collector 900 l
- High-pressure washer 550 l
- Sprinkling tank 550 l
- Fixed platform 230 l



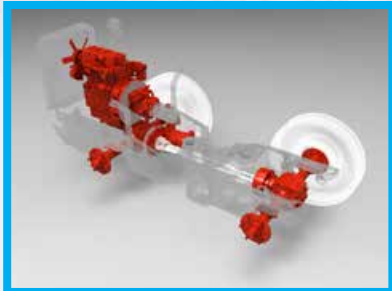
Inner turn radius 1,700 mm  
Outer turn radius 3,000 mm



# LITTLE GIANT

The Wille 265 can cope with even the toughest snow-clearing operations. The resistance of snow does not steer the machine off course, and its wheels effortlessly advance in even deep snow. The efficient motor hydraulics with a flow of 90 lpm power the various work attachments.

The lifting height of the front lift up to 700 mm, and the maximum lifting force of 12 kN are important properties when piling snow with, for example, a plough or a high-tipping bucket.



## RELIABLE TRANSMISSION WITH EXCELLENT PROPERTIES

The output of the diesel engine is transmitted by means of a hydraulic pump and motor to the rear axle, and by means of a cardan shaft, further to the front axle. The advantage of this type of transmission is that the maximum tractive force can always be achieved irrespective of the weight distribution, and the number of tractive tyres, and no high-pressure hoses are routed past the articulated joint. The automatic differential lock on the front axle ensures that the machine advances smoothly on slippery surface, for example, during ploughing or when mowing a lawn with a soft surface.



## VERSATILE OPERATING HYDRAULICS AS STANDARD

The hydraulically operated work attachments are easy to connect, and run safely, causing the minimum of noise. The work attachments in the front, in the rear, and on top of the engine bonnet, can be operated simultaneously. The float position of the front lift, which is a standard feature, makes, for example, ploughing and mowing of the lawn easier. Cushioning of the front lift improves driving comfort and safety while on the road.



As an option, the machine may be equipped with a rear tilt that enables, for example, a sand spreader to be tilted down and filled by reversing.

Wille comes with two operating hydraulics pumps. The flow of the pumps is 36 lpm and 54 lpm respectively, which can be used individually or combined for a flow of 90 lpm. The cylinder hydraulics are double-acting: 3 circuits to the front and 1 circuit to the rear.

## SPACIOUS CABIN WITH EXCELLENT ERGONOMICS

The cabin is spacious and easy to access. Thanks to the unobstructed view, the adjustable steering wheel and the multi-purpose lever with pilot control, the user ergonomics are excellent. The distinct multi-function display gives the operator precise information about the machine's different functions in the desired language.



The efficient cabin heater and heated seat help make the ambience more comfortable during the cold season. The adjustable fan keeps the windows clear.

The opening side windows increase the operating comfort especially in summer. As required, the windows are easy to dismount. Air-conditioning is available as an option.

# "MAXIMAL TRACTIVE FORCE IRRESPECTIVE OF WEIGHT DISTRIBUTION AND THE NUMBER OF TYRES WITH GROUND CONTACT"



## SERVICE-FRIENDLY STRUCTURE

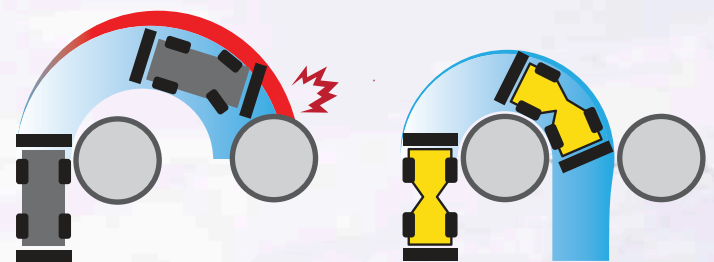
Thanks to the dismountable engine bonnet, the serviceable parts are easy to access even with a work attachment placed on top of the engine compartment.

The hydraulic oil filter can be easily changed from above.

The extract fan helps reduce the cooler element's tendency to get clogged, for example, when mowing a lawn.

## AGILE ARTICULATED STEERING

A machine with articulated steering is much more agile than, for example, a mini-tractor with front wheel steering.



A front-wheel-steered machine

Wille